



EYASTA

# ASTRO 6 Semi

Create Sustainable and Efficient Green Energy

## CHSM66M-HC Monofacial Series (210)

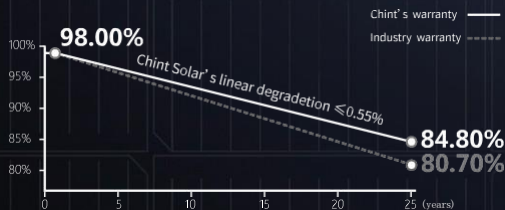
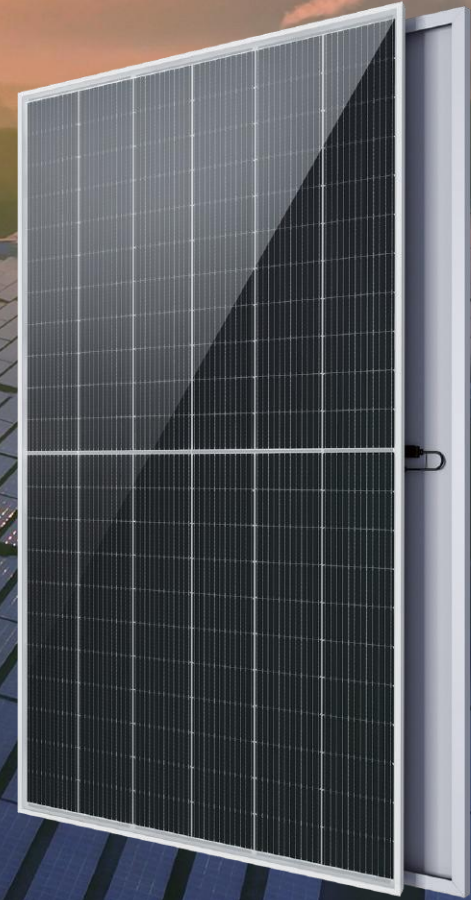
# 650~665W

PERC+ / Multi-busbar / Half-cut

Non-destructive cutting

PID resistance

Lower BOS cost & LCOE



12-year Product Warranty  
25-year Linear Power Warranty



ISO 9001:2015: IS Quality Management System  
ISO 14001:2015: Environment Management System  
ISO 45001: Occupational Health and Safety  
The first solar company which passed the Nord IEC/TS 62941 certification audit



Tier 1  
BloombergNEF



**650~665W**

POWER RANGE

**0~+5W**

POWER TOLERANCE

**21.4%**

MAX MODULE EFFICIENCY

**≤ 2.0%**

FIRST YEAR POWER DEGRADATION

**≤ 0.55%**

YEAR 2-25 POWER DEGRADATION

## Electrical Specifications

**STC:** Irradiance 1000W/m<sup>2</sup>, Cell Temperature 25°C, AM=1.5

Rated output (P <sub>mpp</sub> / W <sub>p</sub> )	650	655	660	665
Rated voltage (V <sub>mpp</sub> / V)	37.45	37.65	37.85	38.05
Rated current (I <sub>mpp</sub> / A)	17.36	17.41	17.45	17.50
Open circuit voltage (V <sub>oc</sub> / V)	45.28	45.48	45.68	45.88
Short circuit current (I <sub>sc</sub> / A)	18.43	18.48	18.53	18.58
Module efficiency	20.9%	21.1%	21.2%	21.4%

**NMOT:** Irradiance 800W/m<sup>2</sup>, Ambient Temperature 25°C, AM=1.5, Wind Speed 1m/s

Rated output (P <sub>mpp</sub> / W <sub>p</sub> )	489.5	493.2	497.0	500.7
Rated voltage (V <sub>mpp</sub> / V)	35.09	35.28	35.46	35.63
Rated current (I <sub>mpp</sub> / A)	13.96	13.99	14.03	14.06
Open circuit voltage (V <sub>oc</sub> / V)	42.55	42.75	42.95	43.15
Short circuit current (I <sub>sc</sub> / A)	14.82	14.87	14.92	14.97

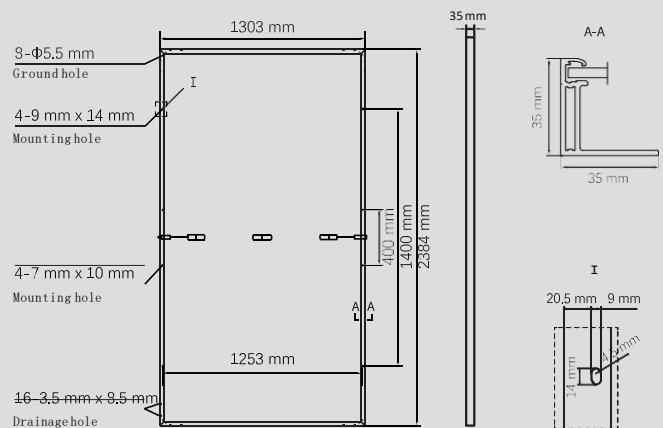
## Temperature Ratings (STC)

Temperature coefficient (P <sub>mpp</sub> )	-0.34%/°C	No. of diodes	3
Temperature coefficient (I <sub>sc</sub> )	+0.04%/°C	Junction box IP rating	IP68
Temperature coefficient (V <sub>oc</sub> )	-0.25%/°C	Max. series fuse rating	30A
Nominal module operating temperature (NMOT)	41±2°C	Max. system voltage (IEC/UL)	1500V <sub>DC</sub>

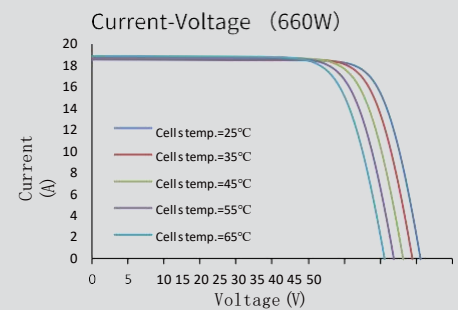
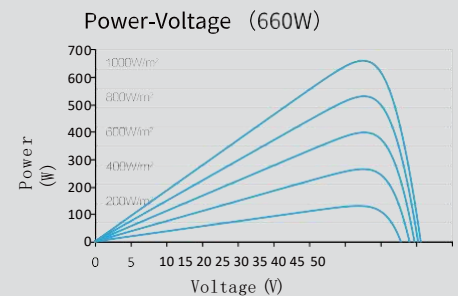
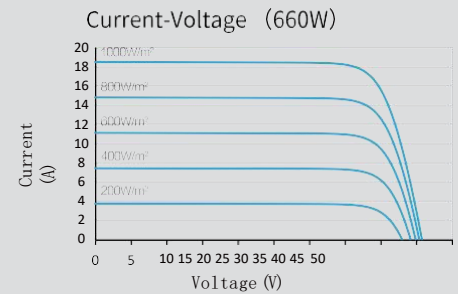
## Operating Parameters

## Mechanical Specifications

Outer dimensions (L x W x H)	2384 x 1303 x 35 mm
Cell Type	P type Mono-crystalline
No. of cells	132 (6*22)
Frame technology	Aluminum, silver anodized
Front glass thickness	3.2 mm
Cable length (IEC/UL)	Portrait: 350 mm; Landscape: 1400 mm
Cable diameter (IEC/UL)	4 mm <sup>2</sup> / 12 AWG
① Maximum mechanical test load	5400 Pa (front) / 2400 Pa (back)
Connector type (IEC/UL)	HCB40 / MC4-EV02 (optional)
Module weight	34.8 kg
Packing unit	31 pcs / box (Subject to sales contract)
Weight of packing unit (for 40' HQ container)	1125 kg
Modules per 40' HQ container	527 pcs



## Curve



① Refer to monocrystalline installation manual or contact technical department.  
Maximum Mechanical Test load is 5x Maximum Mechanical Design Load.